



Izerwaren
Order
numbers

- Cabinet Rim lock, backset 25 mm - 1"
- Minimum door thickness 19 mm ~ 3/4"
- Strike plate not included with lock
- Both handed

FOR 3/4" THICK DOORS

SET Pushbutton lock: Mechanism + button + ring + angle strike. Polished chrome:



SET # 23.191.. Mechanism, button, ring, angle strike plate

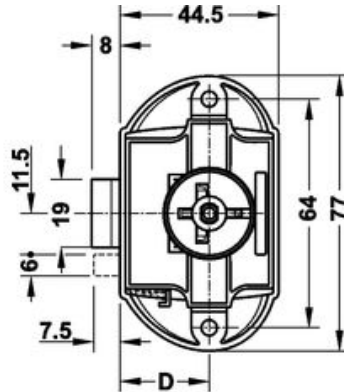
25.191....

25.191.106	lacquered brass
25.191.266	chromeplated
25.191.506	lacq. brush. brass
25.191.566	brushed chrome
25.191.556	brushed nickel
25.191.286	polished gold
25.191.586	brushed gold
25.191.508	brushed stainless
25.191.308	polished stainless

23.225

Push Button Mechanism separately

Case: 78 mm x 45 mm x 20 mm thick
Nickel plated plastic with zamac parts
For use with push-button and push-button-ring.



#23.225 Push button mechanism;
backset 1"/25 mm Throw Bolt: 3/8"
sides

23.052

Strike plate flush (225FLU)

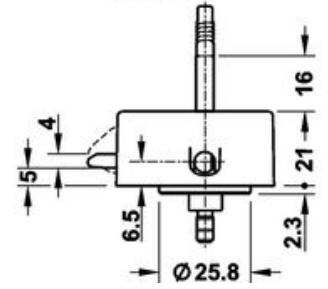
58 mm x 10 mm, nickel plated brass



23.072

Strike plate angle, steel (225ANG)

40 mm x 12 mm x 12 mm; Nickel plated steel

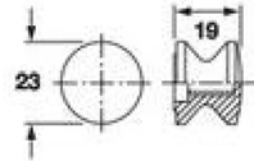


#23.225B:
Allows for buttons on both sides

25.125.266

Push Button for thin wall ring

22.5 mm Ø x 19 mm M6 thread
Chrome plated brass

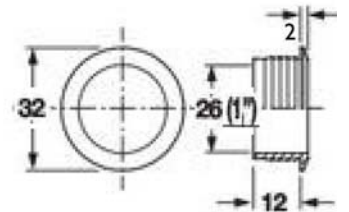


Depicted: Button & Ring # 25.125.266 Button polished chrome
#25.125.308 button polished stainless steel
#25.135.308 ring 26 mm polished stainless steel.

25.135.266

Ring for Push button set

26 mm Ø OD x 12 mm
(Make hole of 1" with drill bit or router)
Chrome plated brass



#25.135.266 Ring - Thin Wall Chrome 26 mm / 1 inch diameter

23.000

Fostner bit 1" mm diameter

for drilling holes for rings in wood panels



23.015

Extention 5/8" 1 1/2" thick door

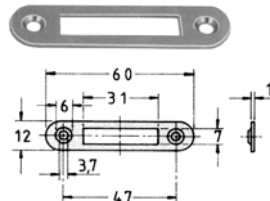
Screws into button



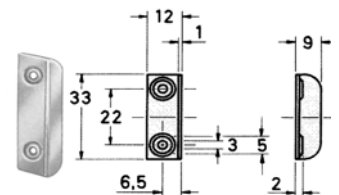
23.067

Filler plate -1 mm thick

3 filler plates / shims provid approx. 1/8"



Flush strike plate #23.052
(choose angle strike or flush strike)



angle strike plate #23.072

Please Specify Finish Button and Ring

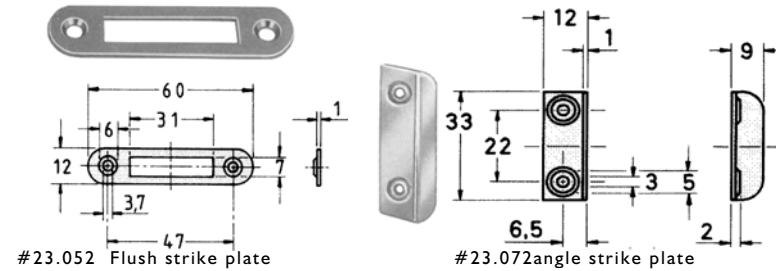
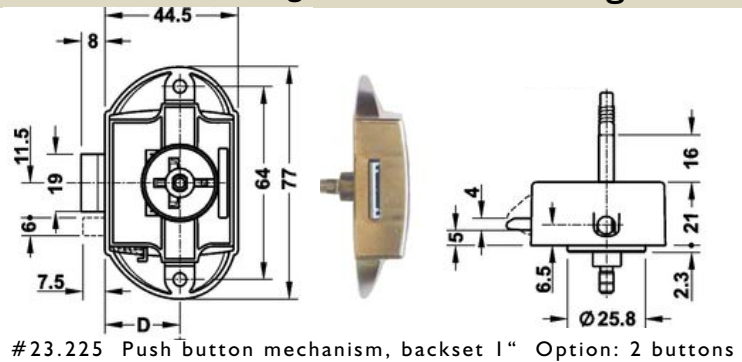


Izerwaren
Order
numbers

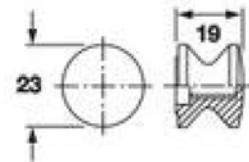
- Cabinet Rim lock, backset 25 mm - 1"
- Minimum door thickness 19 mm ~ 3/4"
- Strike plate not included with lock
- Both handed

**FOR 3/4" AND 5/8" THICK DOORS;
PLASTIC BUTTON AND RING**

- 23.225 **Push Button Mechanism (22522)**
Case: 78 mm x 45 mm x 20 mm thick
Nickel plated plastic with zamac parts
For use with push-button and push-button-ring.
- 23.052 **Strike plate flush (225FLU)**
58 mm x 10 mm, nickel plated brass
- 23.072 **Strike plate angle (225ANG)**
40 mm x 12 mm x 12 mm; Nickel plated steel
- 23.012 **Strike plate angle (226ANG)**
30 mm x 13 mm x 8 mm; nickel plated brass
- 23.933 **Push button Plastic Polished Nickel**
22.5 mm x 19 mm x M6 (13/16" x 3/4")
- 23.934 **Push button Plastic Satin Nickel**
22.5 mm x 19 mm x M6 (13/16" x 3/4")
- 23.935 **Push button Plastic Polished Brass Color**
22.5 mm x 19 mm x M6 (13/16" x 3/4")

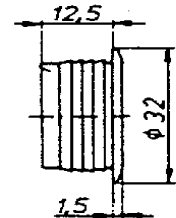


- For Material 3/4" thick:**
- 23.945 **Ring Plastic Polished Nickel**
26 mm x 18 mm (1 3/16" x 23/32")
(Make hole of 1 3/16" with drill bit or router)
for 3/4" doors: thin ring
- 23.946 **Ring Plastic Satin Nickel**
26 mm x 18 mm (1 3/16" x 23/32")
(Make hole of 1 3/16" with drill bit or router)
for 3/4" doors: thin ring
- 23.947 **Ring Plastic Polished Brass (color)**
26 mm x 18 mm (1 3/16" x 23/32")
(Make hole of 1 3/16" with drill bit or router)
for 3/4" doors: thin ring

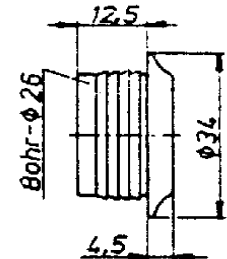


Plastic Button for thin wall ring

- For Material 5/8" thick: (plastic only)**
- 23.941 **Ring Plastic Polished Nickel**
26 mm x 18 mm (1 3/16" x 23/32")
(Make hole of 1 3/16" with drill bit or router)
for 5/8" doors: thick ring
- 23.942 **Ring Plastic Satin Nickel**
26 mm x 18 mm (1 3/16" x 23/32")
(Make hole of 1 3/16" with drill bit or router)
for 5/8" doors: thick ring
- 23.943 **Ring Plastic Polished Brass (color)**
26 mm x 18 mm (1 3/16" x 23/32")
(Make hole of 1 3/16" with drill bit or router)
for 5/8" doors: thick ring



Plastic Ring for 3/4" thick material; drill hole 26 mm diameter

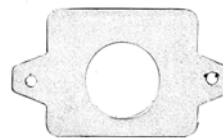


Plastic Ring for 5/8" thick material; drill hole 26 mm diameter

- 23.000 **Fostner bit 1" mm diameter**
for drilling holes for thin rings in wood panels

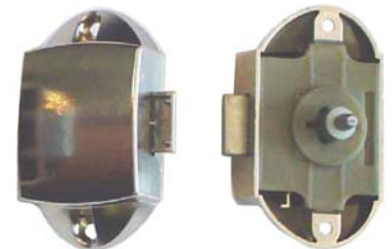


- 23.015 **Extention 5/8" | 1/2" thick doors**
Screws into button



extension #23.015 filler plate #23.067

- 23.067 **Filler plate -1 mm thick**
3 filler plates provide aprox. 1/8" filling



mechanism #23.225

FOR BRASS BUTTONS PLEASE SEE PAGE 2-3